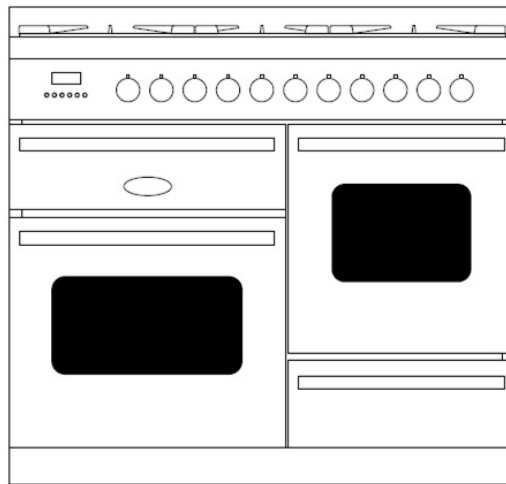




Your life. Our passion

INSTRUCTIONS FOR THE INSTALLATION AND COMMISSIONING OF BRITANNIA RANGE COOKERS



For all Britannia dual fuel and electric range cookers

INSTALLERS PLEASE NOTE – After installation and commissioning, please complete page 14 of this book before handing these instructions to the customer.

The manufacturer is not responsible for any inaccuracies, due to printing or transcription errors Contained in this booklet.

The manufacturer reserves the right to make changes to its products when considered necessary and useful, without affecting the essential safety and operational characteristics.



Your life. Our passion

Glen Dimplex Home Appliances,
Britannia Living,
Stoney Lane,
Prescot,
Merseyside
L35 2XW

www.britannialiving.co.uk

For nationwide service contact

TEL: 0844 463 9705

Email : service@britannialiving.co.uk

Important

Please read the installation and commissioning instructions fully before commencing the installation. Instructions for operation of the automatic programmer and door removal are contained in the accompanying user manual.

THIS APPLIANCE HAS BEEN DESIGNED FOR NON-PROFESSIONAL DOMESTIC USE.

INSTALLER TECHNICAL MANUAL

This appliance is marked according to the European directive 2002/95/EC



This appliance is marked according to the European directive 2002/96/EC on Waste Electrical and Electronic Equipment (WEEE).

This guideline is the frame of a European-wide validity of return and recycling on Waste Electrical and Electronic Equipment.

Warning: If the surface is cracked, switch off the appliance to avoid the possibility of electric shock

The appliance and its accessible parts become very hot during use. Care must be careful not to touch the heating elements. Children under 16 years old must be kept away if not constantly supervised.

The appliance and its accessible parts become very hot during use. Care must be taken not to touch the heating elements. All children must be kept away if not constantly supervised.

This appliance can be used by persons with reduced physical, sensory or mental capabilities, provided that they are supervised by someone who understands the use instructions and the risks involved.

Do not use steam cleaners for cleaning

Caution: make sure the appliance is switched off before replacing the bulb to prevent possibility of electric shock

Use only the recommended thermal probe for this oven

For cookers with electric ovens

ATTENTION: The accessible parts can become hot during use. Keep children away from the appliance.

For glass doors: Do not use abrasive cleaning products or metal spatulas with sharp edges to clean the glass of the oven door since this could scratch the surface and the glass could break.

If the power supply cord is damaged, it must be replaced by the manufacturer, its service agent or similar qualified person in order to avoid a hazard.

Installer information

The installation, all adjustments, transformations and maintenance listed in this part of the manual must be carried out only by skilled personnel.

Ensure suitable protective clothing, such as gloves etc., are worn during installation.

Improper installation may cause damage to persons, animals or property, for which the manufacturer will not be held responsible.

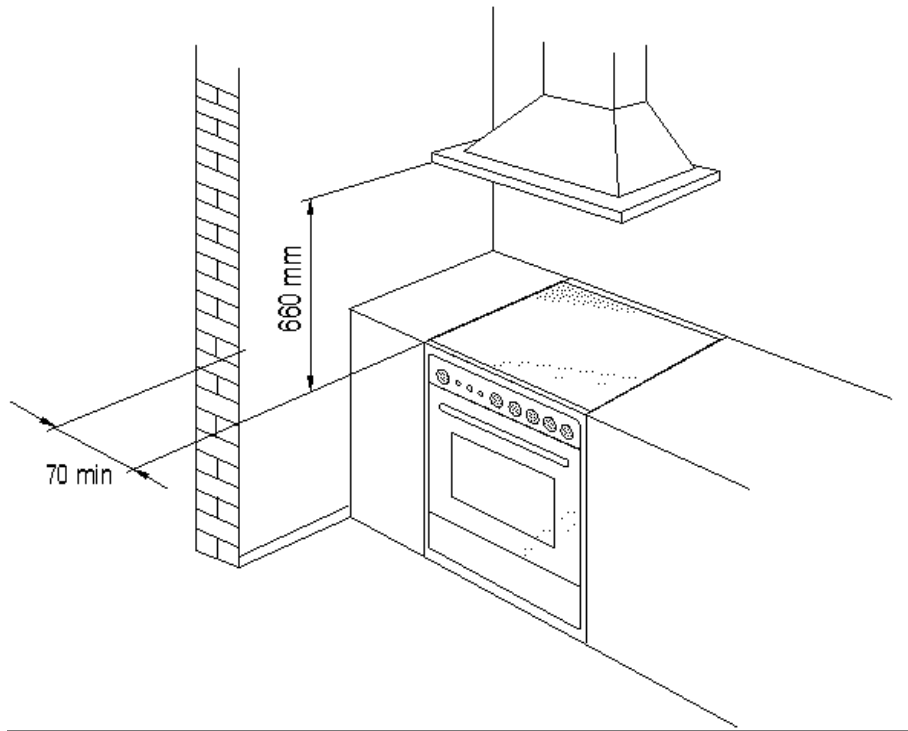
The appliance safety or automatic adjustment devices may be changed during the service life of the system only by the manufacturer or by the duly authorised supplier.

Installing the cooker

After having removed the various loose parts from the internal and external packing, make sure that the cooker is not damaged. In case of doubt, do not use the appliance and contact skilled personnel. Keep all the dangerous packing parts (polystyrene foam, bags, cardboard, staples, etc.) away from children.

The appliance can be installed as a freestanding unit, next to a or inserted between two walls (see Fig). A single sidewall that exceeds the height of the work surface is possible. This must be at a minimum distance of 70 mm from the edge of the cooker (see Fig.)

Any walls of the adjacent furniture pieces and the wall behind the cooker must be made with heat-resistant material that can withstand a minimum over temperature of 65 K.



APPLIANCE MAINTENANCE
ATTENTION: IMPORTANT WARNINGS

For cookers resting on a base

ATTENTION: If the cooker rests on a base, take the measures necessary to prevent the cooker from sliding along the support base.

For cookers with electric ovens

The unit becomes hot during use. Do not touch the heating elements inside the oven.

For cookers with electric ovens

ATTENTION: The accessible parts can become hot during use. Keep children away from the appliance.

For the food warmer compartment (or drop leaf in our case)

ATTENTION: The internal parts of the food warmer can become hot during use.

For glass doors

Do not use abrasive cleaning products or metal spatulas with sharp edges to clean the oven door's glass since this could scratch the surface and the glass could break.

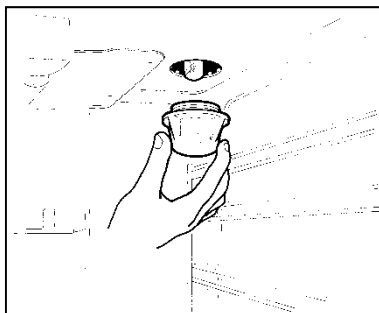
Do not use steam cleaners to clean the appliance.

Replacing parts

Before performing any maintenance operation, disconnect the appliance from the gas supply and electricity network.

To replace parts such as knobs and burners, just remove them from the seats without disassembling any part of the cooker.

To replace the oven bulb, just unscrew the protection cap that projects out inside the oven.



WARNING: Before replacing the bulb, disconnect the appliance from the electric power supply.

WARNING: The power cord supplied with the appliance is connected to that appliance with an X type connection (in compliance with standards EN 60335-1, EN 60335-2-6 and subsequent amendments) for which it can be installed without the use of special tools, with the same type of cord as the one installed.

If the power cord becomes worn or damaged, replace it based on the information reported in types of power cords paragraph .

WARNING: If the power cord is replaced, the installer shall ensure that the ground cable is longer than the phase cables and also shall comply with the warnings regarding the electric connection.

To replace the power cable, lift the terminal board's cover and replace the cable. To access the terminal board in cookers with a 3x2.5mm² cable, the back panel on the rear of the appliance must be removed. The power cord should be replaced only by qualified personnel

Before disposing of the packaging, please ensure you have removed all the components. The up-stand is packed separate and is taped to the back of the cooker. Other components can be found inside the ovens. All packaging and covering films must be removed before the installation can commence.

Dual fuel cookers must be installed by a GAS Safe registered engineer in accordance with gas safety regulations



All electric cookers should be installed by a qualified electrician in accordance with IEE regulations and local electricity provider rules. Building regulations must be considered when undertaking any installation. Failure to install the appliance correctly will render the warranty null and void.

Range cookers are heavy and should be handled by two people. Never lift or drag a range by the oven handles as damage may occur.

Note: Pictures and graphics in this manual cover different models and may vary in minor details from your cooker.

Installing a dual fuel range cooker

Rating of Services

The rating plate is visible in the storage area of the cooker and a copy is also attached to page two of the user manual.

Before connecting the cooker, check that the requirements on the rating plate correspond with those of the electrical system and gas supply (where applicable). Ensure that the electrical system and isolating switches have a suitable capacity to carry the maximum power as indicated on the rating plate. This chart can be used as a guide to the electrical supply ratings

Cooker model	Type	MCB size for dedicated cooker circuit	Fuse rates
90 cm single oven	Gas hob top	16 AMP MCB	16 AMP FUSE
90 cm single oven	Induction hob top	32/40 AMP MCB	32/40 AMP FUSE
90 cm twin oven	Gas hob top	20 AMP MCB	20 AMP FUSE
90 cm twin oven	Induction hob top	32/40 AMP MCB	32/40 AMP FUSE
100 cm twin oven	Gas hob top	20 AMP MCB	20 AMP FUSE
100 cm twin oven	Induction hob top	32/40 AMP MCB	32/40 AMP FUSE
100 cm XG (3 oven compartments)	Gas hob top	32 AMP MCB	30 AMP FUSE
100 cm XG (3 oven compartments)	Induction hob top	40 AMP MCB	40 AMP FUSE
110 cm XG (3 oven compartments)	Gas hob top	32 AMP MCB	30 AMP FUSE
110 cm XG (3 oven compartments)	Induction hob top	40 AMP MCB	40 AMP FUSE
120 cm twin oven	Gas hob top + griddle	32 AMP MCB	30 AMP FUSE

Positioning

The cooker may be installed in a kitchen or open-plan kitchen diner but not in a room containing a bath or shower.

The cooker should be positioned in an area with good light and free from draughts.

Any shelf or unit of combustible material should be at least 660mm above the hotplate. In addition an area of 75mm wide on either side and behind the hotplate must be clear of any combustible materials to a height of 400mm. Units must not overhang over the hob.

Kitchen cabinets may be fitted flush to the sides of the cooker, but to allow for cleaning and servicing

It is recommended that a 2.5mm gap be allowed on each side so that the cooker may be moved if necessary.

The worktop or kitchen cabinets must not protrude beyond the height of the cooker hotplate frame.

Ventilation

Your appliance is not connected to a combustion products evacuation device. The room in which it is to be installed must have an air supply in accordance with BS 5440 (latest edition). The room must have an opening window or equivalent, and some rooms may require a permanent vent in addition to the opening window. General guidelines: The cooker must not be installed in a bedsit room of 20m³ or less. If the cooker is installed in a room with a volume of less than 5m³, then a vent with an effective area of 100cm³ is required. If it is installed in a room with a volume of between 5m³ and 10m³, then an air vent with an effective area 50cm³ is necessary. If there are other fuel burning appliances in the room, please consult BS 5440 (latest edition) for guidance.

Gas connection

Gas connection to the hob should be made by flexible connecting reinforced tube compliant with BS 669-1. A 1/2" BSP threaded male fitting is supplied with the cooker so that the flexible tube can be connected to the gas inlet. Appropriate coupling connector and gas hose need to be supplied by the installer.

Due to the weight of the cooker a stability bracket or restraining chain is required (BS6172-2010) refer to pages 7-8 for the two options.

Ensure that the correct gas type and pressure is available, and that the supply is sound before going on to test the burners.

Electrical connection

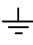
The electric connection must comply with the current legal standards and regulations.

Before making the connection, check that:

- The system electrical rating and the current outlets are adequate for the maximum power output of the appliance (see the label applied to back of the cooker).
- The outlet or the system is equipped with an efficient ground connection in accordance with the current legal standards and regulations. The company will not be responsible for the non-compliance with these instructions.

letter L (phase) = brown wire;

letter N (neutral) = blue wire;

ground symbol  = green-yellow wire;

- The power cord must be positioned so that an overtemperature of 75 K will not be reached at any point.

- Do not use reductions, adapters or splitters since they might cause false contacts and lead to dangerous overheating.

When the connection is made directly to the electric network:

- Use a device that ensures disconnection from the mains in which the contacts are opened to a distance that permits complete disconnection according to the conditions for over-voltage category III.

- Remember that the ground wire must not be interrupted by the circuit-breaker.

- As an alternative, the electric connection can also be protected by a high-sensitivity residual current circuit-breaker.

- It is highly recommended to attach the special green-yellow ground wire to an efficient ground system.

WARNING: If the power cord is replaced, the ground wire (yellow-green) connected to the terminal, should be longer than the other wires by about 2 cm.

WARNING: The power cord should be replaced only by qualified personnel

TYPES OF POWER CORDS

The appliance is equipped with a terminal for the electric connection placed behind, which is accessible removing the posterior casing

The cable of alimentation can be :

Operation at 220-240V~ : use a H07RN-F three-wire cable (cable 3x4 mm²)

The power supply cable is suitable for appliance operating on 220-240 V~

ATTENTION: The appliance conforms with the regulations of directives 90/396EEC (Gas Directive) regarding gas appliances for domestic use and the like, 73/23 (Low Voltage Directive) regarding electrical safety and 2004/108/CE, (EMC Directive) regarding electromagnetic compatibility.

Ensure that the electricity supply is switched off before making the connection. This appliance must be earthed.

Connection to the electricity supply must be made through the flex cable that is already attached to the rear of the cooker. The end of the cable is tucked into the cooker storage area.

Connection to the supply must be made through fixed wiring. It cannot be connected to a normal domestic power socket. A double pole switched cooker box should be used with contact separation of at least 3mm.

Turn on each hob zone to check that all elements are functioning correctly. Remove all packaging and combustible items from the oven. Turn on the oven selector switch and thermostat knob to check that the oven is functional on all modes.

LPG

The appliance is supplied for use with natural gas. Conversion to LPG may only be undertaken by a GAS Safe registered engineer. LPG jets are supplied with every cooker.

Adaptation to different types of gas

Before performing any maintenance operation, disconnect the appliance from the gas supply and electricity network.

Replacing the gas nozzles to operate with another type of gas:-

Follow the instructions below to change the burner nozzles on the work surface:

- Isolate the appliance from the electric outlet to avoid any type of electric contact.
- Remove the grids from the work surface.
- Remove the burners.
- Unscrew the nozzles using a 7 mm spanner, and replace them (fig 1) with those needed for the new type of gas according to what is indicated in the table below.

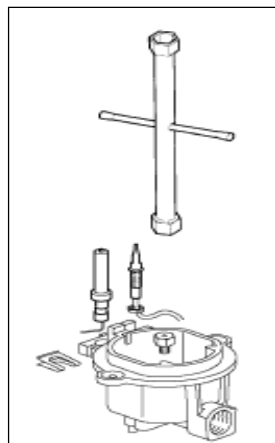


Fig 1

WARNING: After completing the above-mentioned replacements, adjust the burners, as described in the paragraph below. Seal any adjustment and pre-adjustment devices. Replace the existing label with a new one corresponding to the new gas adjustment. **This label is contained in the spare nozzle bag.**

Burner	Types of Gas	Pressure	Nozzle Diameter	Rater Capacity				Reduced Capacity		By-pass Diameter
		mbar	1/100 mm.	g/h	l/h	kw	Kcal/h	kw	kcal/h	1/100 mm.
Auxiliary 50 mm Ø	Natural G20	20	77	-	95	1	860	0,48	413	34 reg.
	Propane G31	37	50	71	-	1	860	0,48	413	34
Semi-Rapid 70 mm Ø	Natural G20	20	101	-	167	1,75	1505	0,6	516	36 reg.
	Propane G31	37	66	125	-	1,75	1505	0,6	516	36
Rapid 95 mm Ø	Natural G20	20	129	-	286	3	2580	1,05	903	52 reg.
	Propane G31	37	87	214	-	3	2580	1,05	903	52
Dual Inner 43 mm Ø	Natural G20	20	70	-	76	0,8	688	0,48	413	34 reg.
	Propane G31	37	46	57	-	0,8	388	0,48	413	34
Dual Outer 140 mm Ø	Natural G20	20	110	-	419	4,4	3784	1,8	1548	65 reg.
	Propane G31	37	69	293	-	4,1	3526	1,8	1548	65

Check correct operation of the ignition system and operation of burners individually and in combination. Burner flames should be clear blue, with no yellow tipping. If the burners show any abnormality check that burner heads are correctly located. If satisfactory performance cannot be obtained, contact Britannia Living Ltd. For UK service contact number refer to page 2.

Note: These burners have no aeration adjustment.

Burner "MINIMUM" adjustment:

Work surface burner adjustment: follow the instructions below to adjust the work surface burner minimum:

- Light the burner and set the knob to the MINIMUM position (small flame).
- Remove the knob of the valve that is press-fit on the rod of that valve.
- Insert a small slotted screwdriver into the hole on the valve body (fig 2) and turn the choke screw to the right or left until the burner flame is adjusted to minimum.
- Make sure that the flame does not go out when switching quickly from the MAXIMUM to the MINIMUM position.

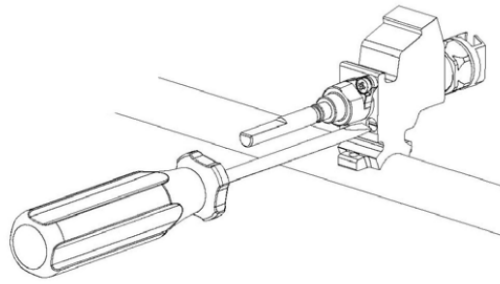


Fig 2

WARNING: The above-mentioned adjustment should be made only with natural gas burners, while those operating with liquid gas the screw must be locked at the end in a clockwise direction.

Test the operation of the cooker before leaving

It should be noted that Britannia Living Ltd cannot accept any liability for direct or indirect damage caused by incorrect connection or improper installation. When being repaired, the appliance must always be disconnected from the mains supply; if required, notify our customer service.

Support legs

4 support legs are supplied separately and are fitted on location to the four corners of the lower support frame (fig 3).

Ensure suitable protective clothing, such as gloves etc., are worn during installation.

After unpacking the cooker, lift it approx 250mm to fit the legs then gently lower the cooker to keep undue strain from the legs. It is recommended to use a lifting device instead of tilting the unit.

Transit supports are left in situ. Each leg is firmly pushed over one of the transit supports. If the legs are not used and the cooker is mounted onto a plinth, leave transit legs in position to allow for clearance.

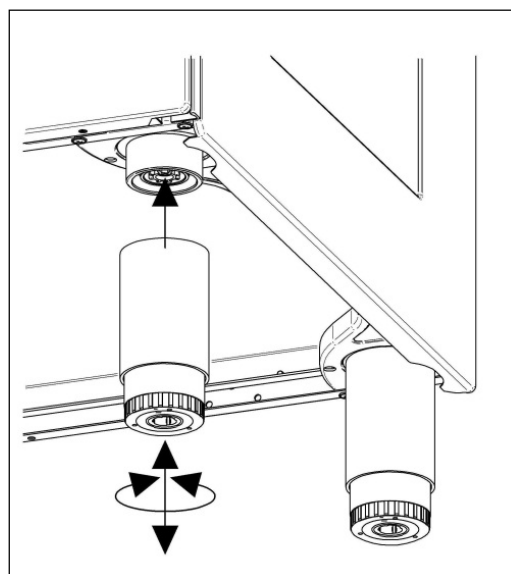
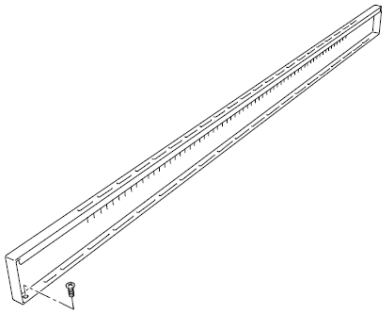


Fig 3

Up-stand Installation

The up-stand is packaged at the bottom rear of the cooker. The up-stand is fixed along the rear of the cooker hob. Screw fixing points for locating the up-stand are at either end.

1. Place the up-stand on the rear of the hob, line up locating holes and secure with the screws supplied.



Anti-tilt restraint option 1

Once legs are adjusted to the correct height, fit the anti-tilt restraint brackets. The anti-tilt brackets must be fixed to the rear wall as shown below.

1. To calculate the position of brackets up from the floor, measure to the bottom of the anti-tilt bracket location slots on the back of the cooker and add 32mm.
2. Secure the brackets in position on the rear wall with suitable fixings. (Note that brackets are fixed 60mm in from the side edges of the cooker).
3. Lift the cooker into place until it sits 130mm away from the wall then gently manoeuvre the cooker further back until the brackets are fully inserted into the rear side of the cooker. Care should

Be taken to not cause damage to the flooring or to put unnecessary strain on the legs

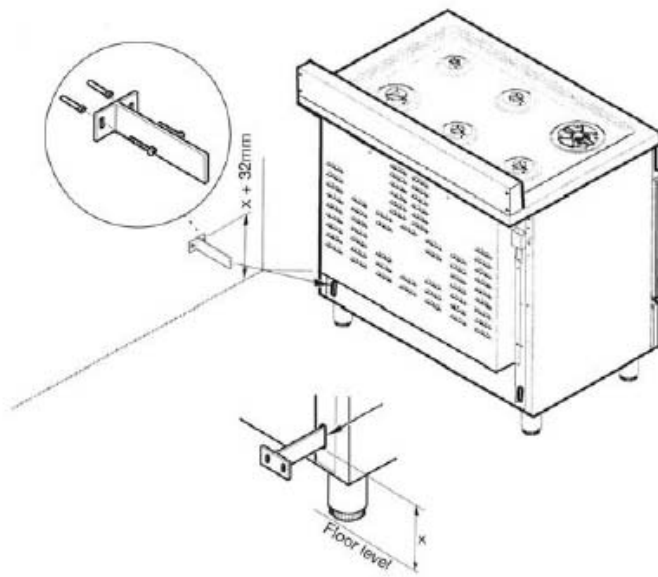


Fig 4

Anti-tilt restraint option 2

A stability hook and chain is another accepted method of supplying an anti-tilt restraint (fig 5)

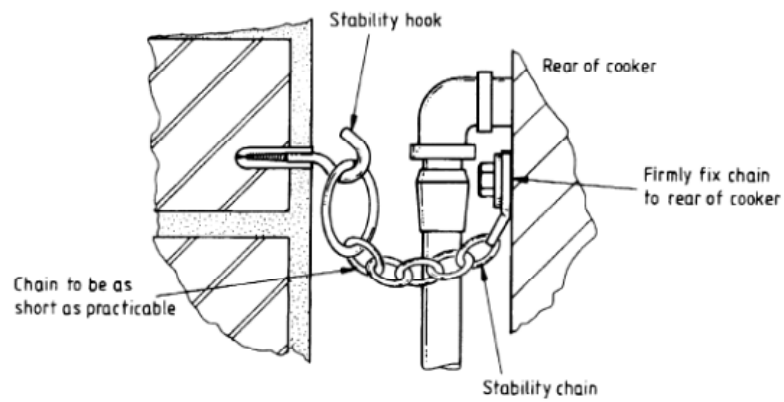


Fig 5

Installation checklist

The installing engineer should complete this checklist and leave it with the owner of the cooker

Date of installation _____

Cooker model number _____

Cooker serial number _____

Please tick to confirm the following checks have been completed

<input type="checkbox"/>	The cooker is level
<input type="checkbox"/>	Stability bracket or chain fitted
<input type="checkbox"/>	Gas soundness complete
<input type="checkbox"/>	Simmer settings checked and adjusted where necessary
<input type="checkbox"/>	All gas burners tested
<input type="checkbox"/>	Ignition of burners tested
<input type="checkbox"/>	All oven and grill functions tested
<input type="checkbox"/>	Auto programmer left in manual mode (see user manual)
<input type="checkbox"/>	Customer briefed on how to use the cooker
<input type="checkbox"/>	User manual and installation instructions left with the owner
<input type="checkbox"/>	Working pressure test complete

Name of engineer _____

Gas safe registration number _____

Company name _____

Company address _____

Telephone number _____

Signed _____

Date _____

310931